



# SLIDING PATIO DOOR

NEW &  
IMPROVED

THE PATIO DOOR THAT HAS IT ALL

# Choose your **colour** choice

Midrail available: Yes



Midrail available: No



\* Set up charge applies

## Enhance your home with a sliding patio door

### Improve your home's **energy efficiency**

Our patio doors are designed to insulate, but they also allow more natural light into your home and give you more options for ventilation. You could find yourself making savings on heating, lighting and air conditioning.

### Patio doors **add style**

Patio doors have clean, uncluttered styling that looks at home almost anywhere. Your furnishings and decor have the perfect neutral backdrop of a door that doesn't need to shout to be effective and that doesn't detract from the view.

### Be at home **with the outdoors**

Because the glass extends to floor level you'll get much better views of the world outside. Even on the chilliest days, you'll be able to enjoy your garden. When it's warm, open up in seconds for a home that flows indoors and out.



### Easier access

Our sliding doors glide along their tracks so easily that opening them will never feel like a chore. It's almost effortless, but there's another advantage to a wide opening door. If you've ever struggled to shift a bulky piece of furniture through a normal doorway, you'll know what we mean – that extra width can be a godsend.

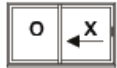
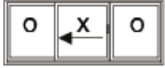
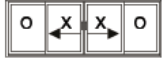
### Streamlined patio doors

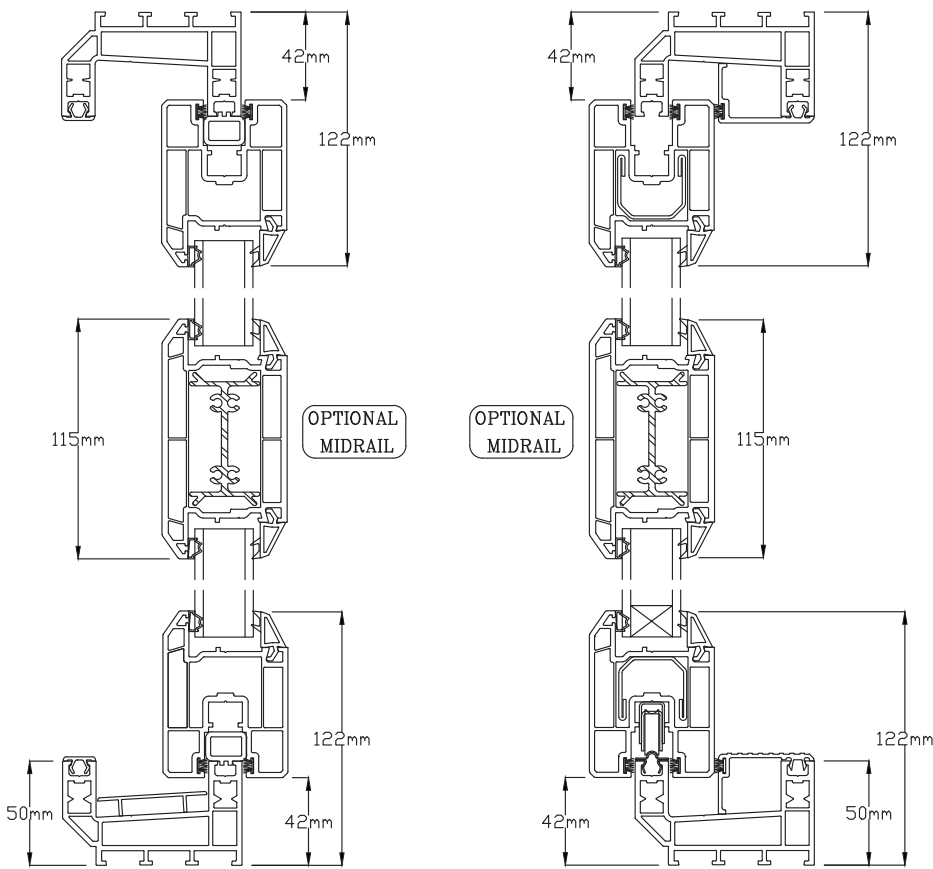
You can hang curtains and have furnishings right next to a sliding door and you won't need to move them when you want to open up.



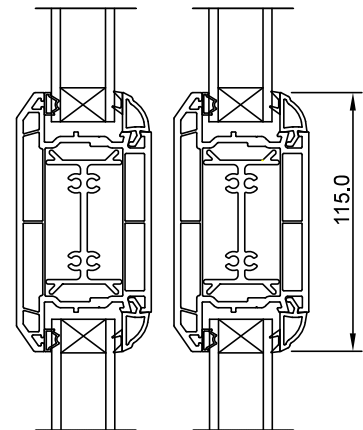
PVC Patio Slider in grey

# In-Line Sliding Patio Door

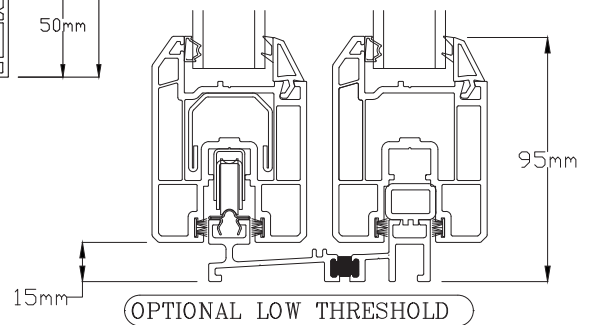
APPLICABLE TO	
	2 PANE END SLIDER
	3 PANE CTR. 2 PANE
	4 PANE SLIDER



Midrail Sections



Low Aluminium Threshold



For internal purposes only



If you require any further help or assistance please contact your dedicated supplier below:

*Joe*  
**ROWLEY  
WINDOWS**

Tel: 083 030 2434

[www.joerowleywindowsanddoors.com](http://www.joerowleywindowsanddoors.com)

**Frames Direct**

Donegal,  
F93 FF96

**Tel:** +353 74 9363888  
[info@framesdirect.ie](mailto:info@framesdirect.ie)  
[www.framesdirect.ie](http://www.framesdirect.ie)

**Frames Alu**

Donegal,  
F93 KN12

**Tel:** +353 74 9330050  
[info@framesalu.com](mailto:info@framesalu.com)

**Superior Trade Frames**

Newtownards,  
BT23 7HH

**Tel:** +44 28 91 825740  
[info@superiortradeframes.com](mailto:info@superiortradeframes.com)  
[www.superiortradeframes.com](http://www.superiortradeframes.com)

**Futura Frames**

Cork,  
P72 WD21

**Tel:** +353 23 8843870  
[orders@futuraframes.ie](mailto:orders@futuraframes.ie)  
[www.futuraframes.ie](http://www.futuraframes.ie)

